

# NDS285 PRO

2MP H.265 at 30fps, 300X  
 (30X Optical, 10X Digital)  
 Auto Zoom Focus, Smart ICR, Extreme WDR, PoE+,  
 Network Speed Dome



## Why DivioTec?

DivioTec's aim is to transcend the capabilities of the human eye and deliver an entirely new field of view. Our integrative skills and our 20 years of industry experience are constantly driving new innovations.

Our simple, easy-to-use interfaces and our rock-solid security hardware are rapidly earning the respect and confidence of our clients.

We also make a point of listening carefully to our customers' needs, applying what we learn to develop outstanding new products and a culture of exceptional service.

At DivioTec, our experience is your protection.

Designed by DivioTec USA.

- 2-Megapixel 1/2.8" SONY Progressive Scan CMOS Sensor
- 2-Megapixel Resolution @ 60 fps Real-Time
- H.265/H.264 /MJPEG Compression
- Quad streaming support/Low Latency Streaming
- Electrical Image Stabilizer(EIS) support
- 300X (30X Optical Lens, 10X Digital Lens) Auto Zoom Focus
- 256 presets, High speed up to 400°/sec, 360° endless
- Smart Filtering Function Removable IR-cut Filter for Day and Night
- Extreme Wide Dynamic Range (WDR)
- 3D Noise Reduction
- ROI (Region of Interest) with Multi Cropping
- Servo Feedback-Guarantees no stalling
- Zero-Down-Time(ZDT) Power Switching
- Text Overlay and Privacy Mask
- Tampering Alarm /Motion/Network Failure Detection

| Sensor                  |  |
|-------------------------|--|
| Image Sensor            | 1/2.8" Sony Progressive CMOS   |
| Effective Pixels        | 1945 (H) x 1097 (V)  |
| Minimum Illumination    | 0.02 lux (Color); 0.005 lux (B/W) @F1.6  |
| Lens                    |  |
| Focal Length            | 1.2 ~129 mm, P-iris  |
| F Number                | F1.6 (Wide); F4.7(Tele)  |
| Field Of View           | H: 67°(Wdie);2 °(Tele); V: 38°(Wdie); 1°(Tele)   |
| Optical Zoom            | 30X  |
| Digital Zoom            | 10X  |
| Image Setting           |  |
| Wide Dynamic Range      | Shutter WDR (Up to 120 dB)   |
| White Balance           | Auto/One Push/ATW/Manual   |
| Shutter Speed           | 1/1~1/10,000 sec.  |
| Iris Control            | Auto/ level 1-10   |
| Gain Control            | Level 1-9  |
| Analog output           | Yes, Always on   |
| Text Overlay            | Date & Time/ Text String/ Subtitle/ Image/ Azimuth/ Zoom Ratio   |
| Day/ Night              | Auto/ Night/ Day/ Light sensor(Day/ Night Switch Threshold: level 1-10 illumination)/ Smart  |
| IR Light Compensation   | Yes  |
| Smart Schedule Profile  | Multiple schedule applied to one camera configuration profile or Event management<br>Support up to 10 sets of schedule: Day/ Night/ Manual (Start Time, Duration)<br>10 Profiles (Configurable: Shutter Speed, Exposure, Gain, Wide Dynamic Range, Noise Reduction, White Balance, Backlight Compensation, Picture Adjustment: Brightness/Sharpness/Contrast/Saturation/Hue) |
| Rotate Function         | Mirror/ 90°/ 180°/ 270° rotation   |
| Digital Noise Reduction | 3DNR: Low/ Mid/ High; 2DNR: On/ Off; ColorNR: Low/ Mid/ High   |
| Operation               |  |
| Multiple Languages      | English/French/German/Italian/Simplified Chinese/Traditional Chinese/Russian/Spanish/ Japanese/ Portuguese   |
| Pan Travel              | 360° endless   |
| Tilt Travel             | -20°~100°  |
| Speed by Zoom           | Pan: 0.1° ~ 90°/s , Tilt: 0.1° ~ 60°/s   |
| Presets                 | 256  |
| Preset Accuracy         | 0.225°   |
| Preset Speed            | Pan: 5° ~ 400°/s Tilt: 5° ~ 300°/s   |
| Sequence                | 8  |
| Auto Pan                | 4  |
| Cruise                  | 8  |
| Privacy Mask            | 16   |
| Proportional Pan & Tilt | Yes  |

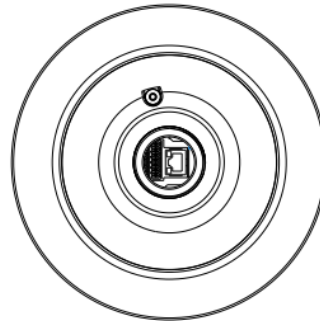
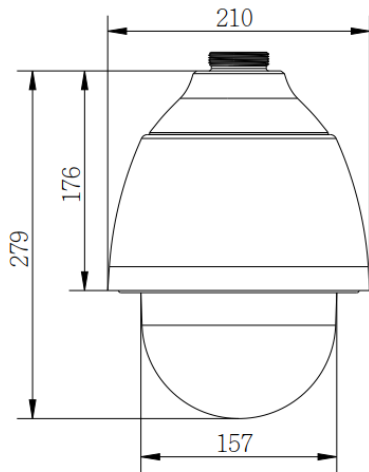
|                                |  |
|--------------------------------|--|
| Resume after Power loss        | Yes  |
| Home Function                  | Time: 1-128min; Preset/Sequence/Auto Pan/ Cruise   |
| Electronic Image Stabilization | On/ Off  |
| Auto Flip                      | M.E /Off   |
| Set pan zero                   | Yes  |
| <b>Audio</b>                   |  |
| Transmission Mode              | Full-duplex (Talk and Listen simultaneously)/ Half-duplex (Talk or Listen, not at the same time)/ Simplex (Talk only)/ Simplex (Listen only)/ Disable  |
| Audio Bit rate                 | 16 kbps/ 24 kbps/ 32 kbps, 40 kbps/ uLAW (64 kbps)/ ALAW (64 kbps)/ AAC (128 kbps)/ PCM (128 kbps)/ PCM (256 kbps), PCM (384 kbps)/ and PCM (768 kbps)   |
| Recording to Storage           | Yes  |
| <b>Event</b>                   |  |
| Motion Detection               | Motion detection window x 4 set  |
| Audio Detection                | Detection level: 1-100; Time interval (sec): 0-7200  |
| Event Triggers                 | Motion Detection, Audio Detection, Network Failure Detection   |
| Event Action                   | Enable Alarm Output<br>Send Message by FTP/E-Mail<br>Upload Image by FTP<br>Upload Image by E-Mail<br>Send HTTP Notification<br>Record Video Clip<br>PTZ Function (perform: Preset/ Sequence/ Autopan/ Cruise on the specific Function Line) |
| <b>Network</b>                 |  |
| Networking                     | RJ-45, 10/100 Mb Ethernet  |
| Protocol                       | ARP, PPPoE, IPv4/v6, ICMP, IGMP, QoS, TCP, UDP, DHCP, UPnP, SNMP, SMTP, RTP, RTSP, HTTP, HTTPS, FTP, NTP, DDNS   |
| Security                       | HTTPS/IP Filter/IEEE 802.1x; user account: 20; level: user/administrator   |
| Supported Web Browser          | Internet Explorer (10.0+)/Firefox/ Safari  |
| ONVIF                          | Profile S / G / Q conformant   |
| <b>Video Codec</b>             |  |
| Video Compression              | H.265/H.264/MJPEG  |
| Video Resolution               | H.265/ H.264/ MJPEG - Full HD 1080P/SXGA/HD 720P/XGA/SVGA/D1/VGA/CIF   |
| <b>General</b>                 |  |
| Audio                          | G.711/G.726/AAC/LPCM, Two way audio(Line-in/-out), Terminal Block  |
| Alarm in/out                   | 4-in(5V 10KΩ pull up) /2-out (Relay output: Max. 120mA DC 400V / 120mA AC 250V)  |
| Alarm Reaction                 | Preset/Sequence/Auto Pan/Cruise  |
| SD Card                        | SDXC up to 128GB support   |
| Connector                      | RJ4, Alarm Terminal Block (in x4,out x2), DC12V Terminal Block, AC24V Terminal Block, Audio Terminal Block(inx1, outx1)<br>CVBS Connector, RS485 Terminal Block  |
| Waterproof/Vandal proof        | IP66/IK10(Vandal resistant polycarbonate)  |
| Operating Temperature          | -25°C~50°C (-13°F~122°F)<br>-40°C~50°C (-40°F~122°F) with Heater   |
| Dimension                      | ø 210mm × 279 mm (ø 8.27"×10.98") with Sunshield   |

|                      |   |
|----------------------|---|
| Weight               | 2.9kg (6.39lbs) with Sunshield                                      |
| Power Source         | 802.3 at PoE+ (30W)/ AC 24V ± 10%/ DC 12V (ZDT PoE+ and DC12V only) |
| Power Consumption    | 25.4W   |
| Regulatory           | Outdoor: CE/FCC/RoHS/IP66/IK10/ LVD                                 |
| Ordering information | NDS285 PRO  |

## PTZ Network Camera Accessories

| Accessories | Description                                | Photo   | Dimension/ Weight   |
|-------------|--|---|---|
| AMS-051     | Heavy Duty T-Bar Ceiling                   |    | (D) $\phi$ 166.11 x 276.0 mm / $\phi$ 6.54 x 10.9 in.<br>(W) 1.1 g / 2.4 lbs. |
| AMS-052-1   | Standard Pendant Mount with Anti-Drop Wire |    | (D) 348.0 x 104.0 x 138.6 mm / 13.7 x 4.1 x 5.5 in.<br>(W) 1.5 kg / 3.3 lbs.  |
| AMS-053-1   | Mini Pendant Mount with Anti-Drop Wire     |    | (D) 184.0 x 104.0 x 127.0 mm / 7.2 x 4.1 x 5.0 in.<br>(W) 0.6 kg / 1.32 lbs.  |
| AMS-054     | Corner Standard Mounting                   |   | (D) 222.0 x 204.0 x 117.0 mm / 8.7 x 8.0 x 4.6 in.<br>(W) 2.0 kg / 4.4 lbs.   |
| AMS-055     | Corner Mini Plate                          |  | (D) 270.0 x 166.0 x 68.0 mm / 10.6 x 6.5 x 2.7 in.<br>(W) 0.94 Kg             |
| AMS-056-01  | Straight Tube-Long                         |  | (D) 500.0 mm / 19.7 in.<br>(W) 1.8 kg / 4.0 lbs.                              |
| AMS-056-02  | Straight Tube-Short                        |  | (D) 250.0mm / 9.8in.<br>(W) 1.0 kg / 2.2 lbs.                                 |
| AMS-057     | Pole Thin Direct Mounting                  |  | (D) 232.0 x 136.0 x 50.0 mm / 9.1 x 5.4 x 2.0 in.<br>(W) 0.7 kg / 1.5 lbs.    |
| AMS-058     | Pole Wide Direct Mounting                  |  | (D) 270.0 x 170.0 x 60.0 mm / 10.6 x 6.7 x 2.4 in.<br>(W) 1.0 kg / 2.2 lbs.   |
| AMS-059     | Corner Thin Box Mounting                   |  | (D) 299.0 x 163.5 x 222.0 mm / 11.8 x 6.4 x 8.7in.<br>(W) 3.0 kg / 6.6 lbs.   |

|           |   |   |  |
|-----------|---|---|--|
| AMS-060   | Corner Wide Box Mounting  |    | (D) 232.0 x 233.6 x 175.0 mm / 9.1 x 9.2 x 6.9 in.<br>(W) 2.7 kg / 6.0 lbs.        |
| AMS-061   | Pole Thin Box Mounting  |    | (D) 291.0 x 136.0 x 240.0 mm / 11.5 x 5.4 x 9.4 in.<br>(W) 3.1 kg (6.8 lbs)        |
| AMS-062   | Pole Wide Box Mounting  |    | (D) 270.0 x 166.0 x 155.0 mm / 10.6 x 6.5 x 6.1 in.<br>(W) 3.2 kg / 7.1 lbs.       |
| AMS-063   | Wall Box Mounting   |    | (D) 270.0 x 166.0 x 95.0 mm / 10.6 x 6.5 x 3.7 in.<br>(W) 2.2 kg / 4.9 lbs.        |
| AMS-064   | Stainless Steel Straps  |    | (D) Length: 650.0 mm / 25.6 in.; Width: 12.7 mm / 0.5 in.<br>(W) 50.0 g / 0.1 lbs. |
| APS-061W  | Power Adaptor,<br>AC110V to 24VAC/3.0A,<br>Water proof IP66                         |    | N/A  |
| APS-062W  | Power Adaptor,<br>AC220V to 24VAC/3.0A,<br>Water Proof IP66                         |   | N/A  |
| APS-061   | Power Adaptor,<br>AC110V to 24VAC/3.0A,<br>with power code and plug                 |  | N/A  |
| APS-062   | Power Adaptor,<br>AC220V to 24VAC/3.0A,<br>with power code and plug                 |  | N/A  |
| APE301-02 | 1p PSE injector,<br>802.3at POE 30W(POE+),<br>GbE, PD Detection,<br>with power cord |  | N/A  |



Unit = mm



2019-1-30 released  
Specifications are subject to change without notice.  
Copyright © DivioTec Inc. 2019.  
All Rights Reserved